

MACHINEROOMLESS ELEVATORS PLANNING GUIDE (oUG)

无机房电梯规划指南

(Applicable code 规格时: JIS/EN/GB/KFB/COP/CP2)

Speed 速度 60,90,105m/min Load 载重量 1150~2000kg



Selecting and making the most suitable elevator systems is the key to realize a comfortable building.

This brochure introduces

Hitachi Machine-room-less Elevators

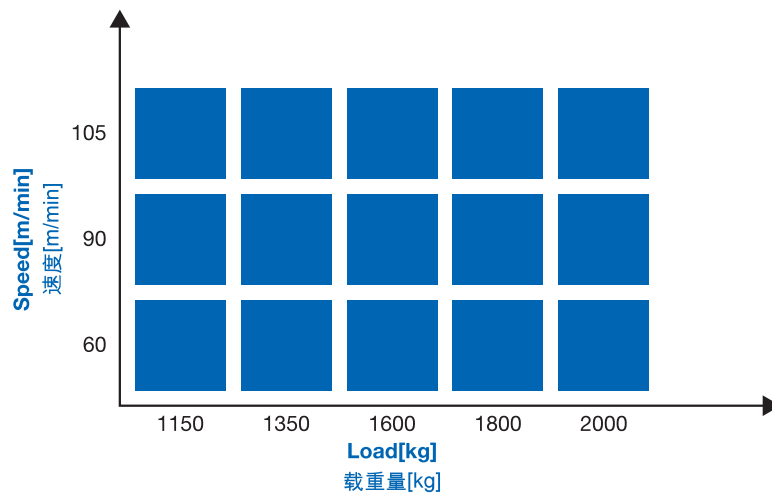
and its dimensions, specifications and other pertinent information.

Please use the information contained herein will serve you in your overall plans for buildings.

选择最适合的电梯系统是实现一栋舒适建筑物的主要关键。本手册介绍日立无机房电梯及其尺寸、规格与其它相关信息。希望这份数据能对你们的大楼整体规划提供一定的参考作用。

MACHINEROOMLESS ELEVATORS 无机房电梯适用范围

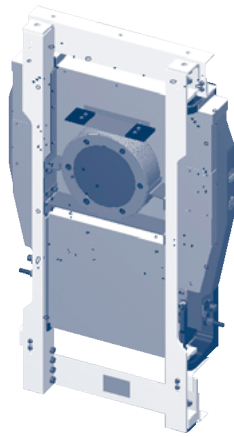
Speed and Capacity
速度与容量



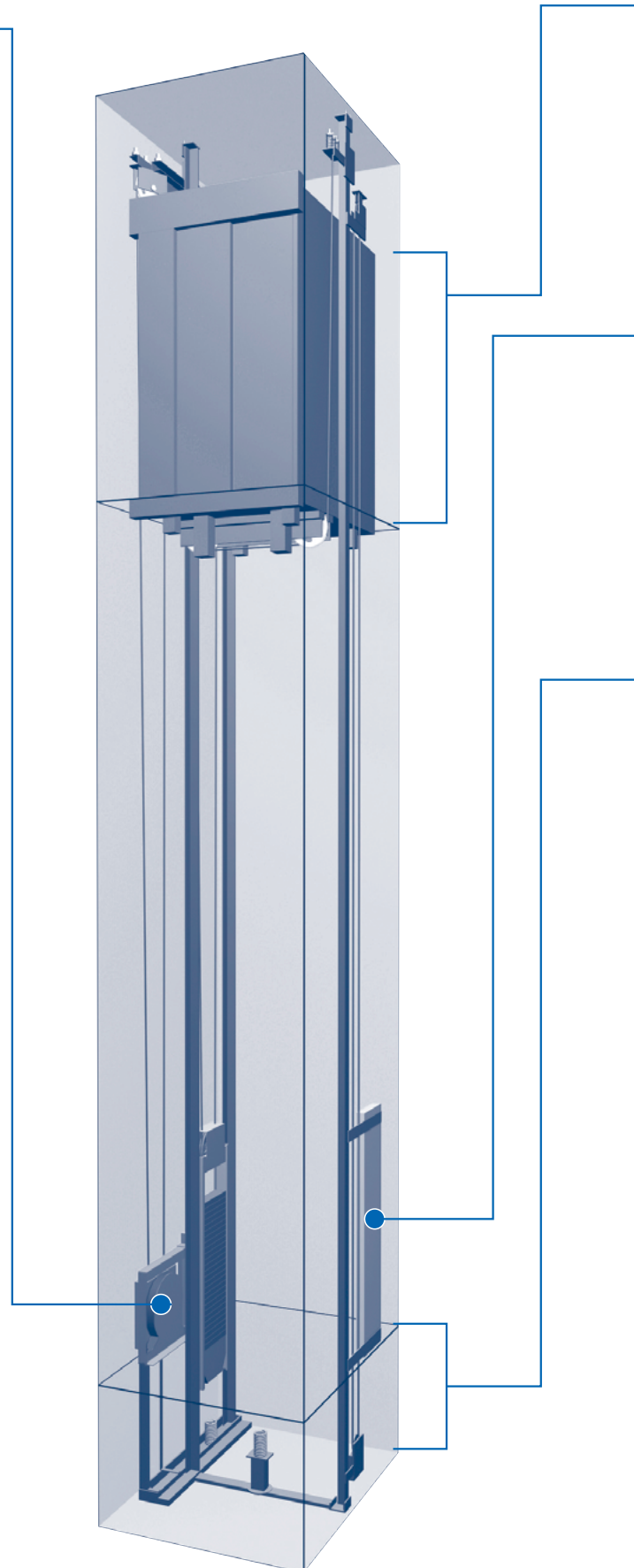
New Slim-type traction machine

新型卷扬机

- Application of new gearless machine and PM (Permanent Magnet) motor.
适用于新型无齿轮曳引机及PM（永磁式）步进电机。
- Double brake type.
采用双制动器。
- Traction machine installed on the side of bottom floor in hoistway.
卷扬机设于井道底层附近。
- Machine will not drop due to earth-quake or other accident.
卷扬机采用在地震等中不会坠落的构造。



Sample of OUG inside car
轿内示例



OUG Structure
OUG构造

Reduction of overhead 缩短顶层

- By reducing overhead dimension, projection of middle/low-height buildings can be reduced.
通过缩短顶层高度，可控制中低层建筑物的顶部。
- Overhead reduction provides easier construction of the roof. While clearing the sun-shadow restriction and north diagonal line restriction, OUG can be located at the northern edge of the building which contributes to effective use of the space.
通过缩短顶层高度，可便于屋顶施工。此外，消除日照限制和北侧斜线限制，可在北侧端部配置井道等，对有效活用建筑空间做出贡献。

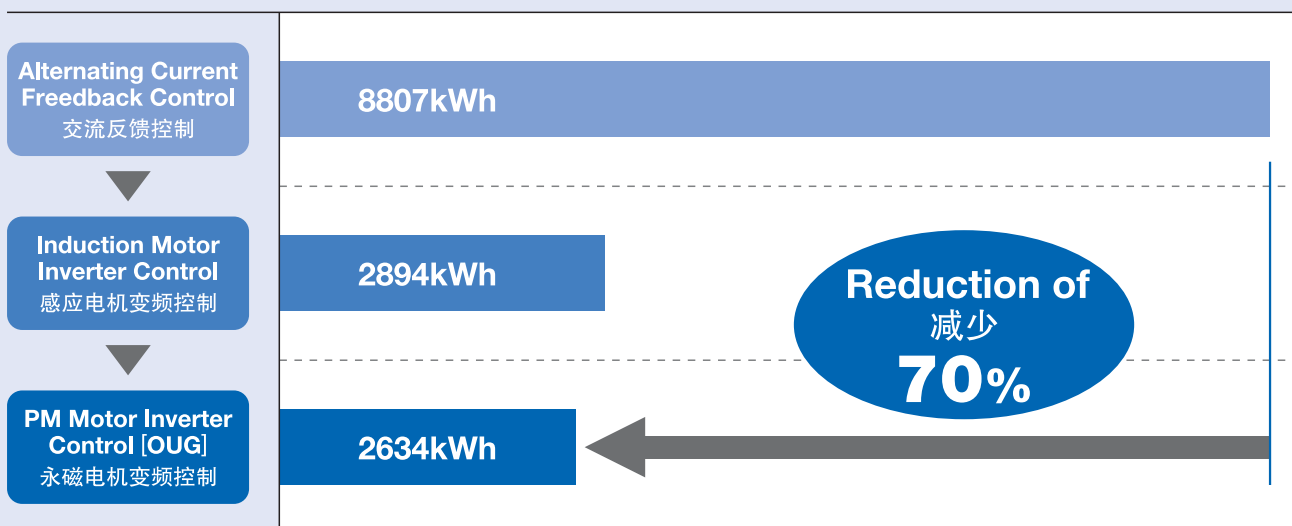
Control panel 控制箱

- VVVF inverter
采用VVVF变频器。
- Control panel installed at the side of bottom floor in hoistway.
控制箱设于井道底层附近。
- Adoption of slim-type control panel.
采用薄型控制箱。

Reduction of pit depth 缩短底坑深度

- Pit depth dimension reduced by 200mm* (in case of speed 90m/min and 105m/min, at applicable EN Code) by application of compact equipment.
通过将井道内的仪器、装置小型化，可将以往的底坑深度最大缩短200mm*（当速度为90m/min，105m/min符合EN规格时）
 - Pit depth reduction provides easier construction.
通过缩短底坑深度，可提高施工性。
- *Comparison of old model "OUX". ※与旧型号"OUX"相比。

Consumption of electricity reduction by improvement of operational energy efficiency 通过提高能源效率节约用电



※The case of 1600kg Load and 60m/min Speed. ※载重 1600kg，速度 60m/min 的例

Specifications and designs are subject to change without notice.

HITACHI

Hitachi, Ltd.

14-1, Sotokanda 4-chome
Chiyoda-ku, Tokyo, 101-8010 Japan

TEL: +81-3-4564-3722

FAX: +81-3-4564-3883

<http://www.hitachi.co.jp/urban/>